



WWW.BARRYIND.COM

# RS1005ZZ-XXXXWN-YY

## CHIP RESISTOR

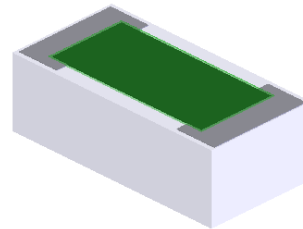
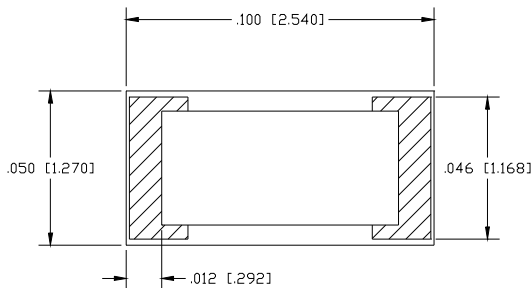
### Features:

- ◆ BeO or Alumina Material
- ◆ Flip Chip Style
- ◆ .5 to 1 Mohm

### General Description:

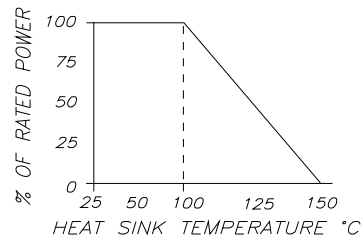
The RS1005ZZ-XXXXWN-YY is a flip chip style resistor (.5 - 1Mohm available). It offers a small package size available in Alumina or BeO.

See below for ordering options

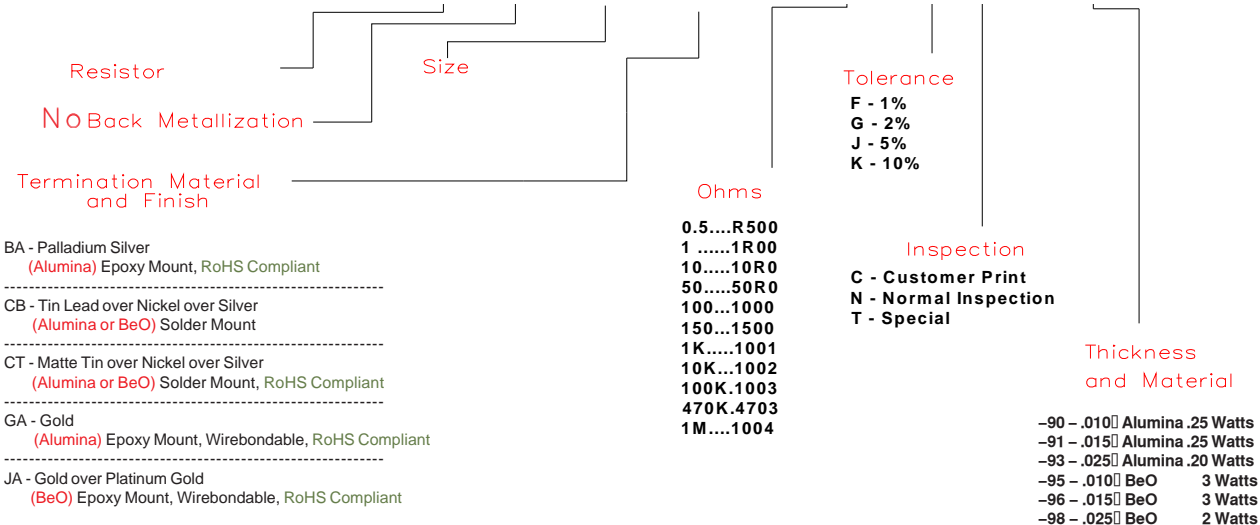


Dimensions in inches [mm]  
Tolerance  $\pm .005$  [.127]  
unless otherwise stated

DERATING CURVE:



**R S 1005 ZZ - XXXX W N - YY**



Barry Industries reserves the right to change part number and or process without notification.

Barry Industries, Inc., 60 Walton St., Attleboro, MA 02703 T: 508-226-3350 F: 508-226-3317 E-mail: ABSales@Vishay.com

Barry Industries maintains and ISO 9001 Certified Quality Management System

Origination Date	Revision Date	Rev.
03/22/12	03/22/12	-